



STAINLESS STEEL UNDERMOUNT SINKS



*Undermount
sinks for solid
or stone surface
countertops*



The rock solid choice.™

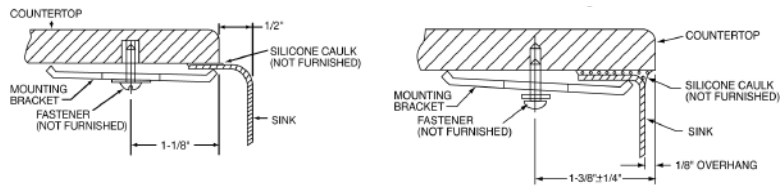


REVERE® STAINLESS STEEL UNDERMOUNT SINKS

Revere sinks enhance the splendor of countertop materials. By creating a fluid, graceful line, a Revere undermount sink complements a countertop while delivering years of outstanding performance.

Do not minimize the beauty of a new countertop by choosing a low-grade sink. Revere sinks are made of 18 gauge stainless steel for superior durability (the lower the gauge number the thicker the steel). The combination of full undercoating and sound deadening pad(s) absorb sound, prevent condensation and maintain water temperature. With its graceful lines and satin finish, a Revere undermount sink is an ideal match for all countertop materials.

Remember, an undermount sink will be a permanent installation. Choose wisely!



1/2" Reveal

1/8" Overhang

Dual Template Mounting Option

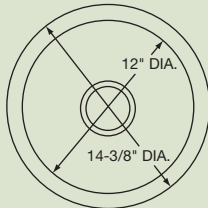
- FEATURES:**
- ▶ 18 Gauge Nickel-Bearing Stainless Steel
 - ▶ 3-1/2" Drain Opening
 - ▶ Full Undercoating
 - ▶ Dual Mount Template Provided

Mounting bracket and cardboard template are included standard with our undermount sinks.

SINGLE BOWL



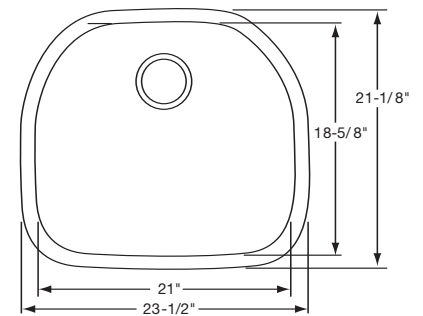
RCFU12FB



6" DEEP



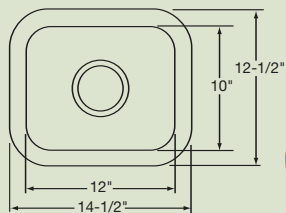
RCFU2118



8" DEEP



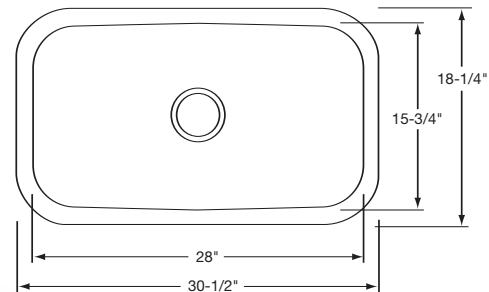
RCFU1210



6-1/2" DEEP



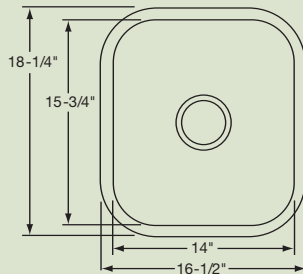
RCFU2816



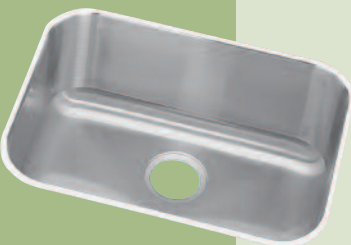
8" DEEP



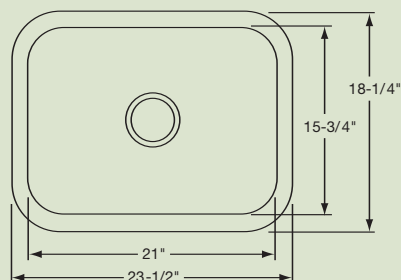
RCFU1618



8" DEEP



RCFU2115



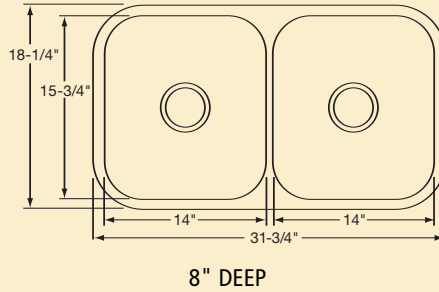
8" DEEP



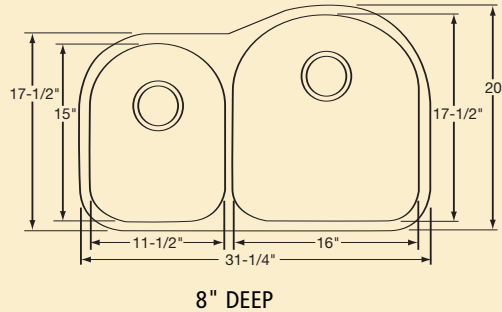
DOUBLE BOWL



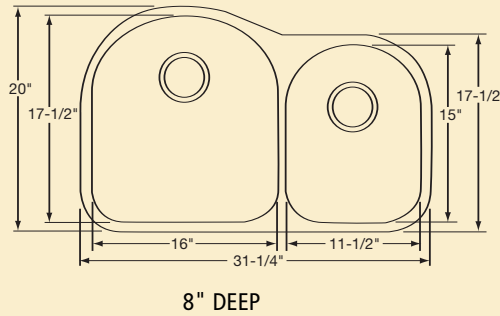
RCFU3118



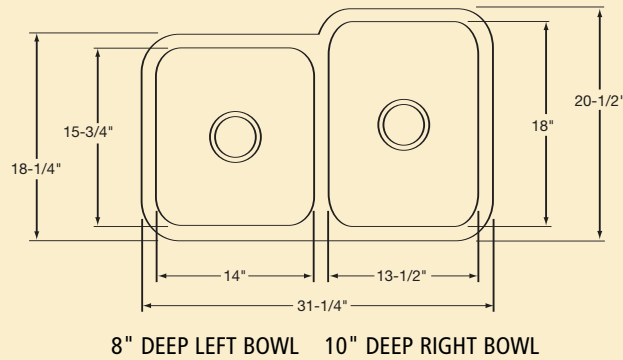
RCFU3119L



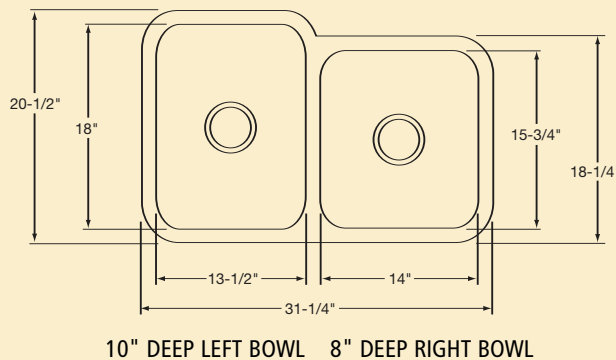
RCFU3119R



RCFU312010L



RCFU312010R



Revere undermounts offer **Quality, Availability** and **Value** for all your application needs.

QUALITY

We use only 18 gauge nickel bearing stainless steel that assures the long term durability of Revere stainless steel sinks. Our satin finish matches the integrity of your countertop design ensuring your customer's complete satisfaction with the installation.

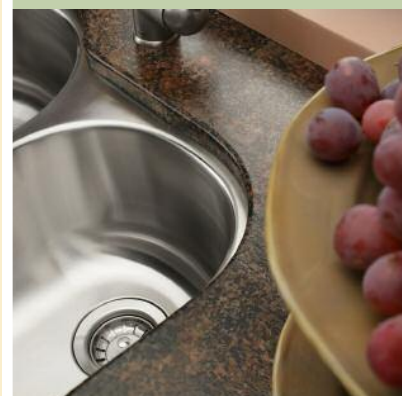
AVAILABILITY

Because Revere sinks are in stock and readily available, you can have the confidence that the sink will be there when you need it. Revere offers a complete product line of both sinks and complementary accessories that will offer your customers the choices they are looking for.

VALUE

Revere sinks add value to your countertop installation with the attention to detail we put into every sink we make. The sink below the countertop is just as important as the top it is placed in – **choose Revere for a winning combination!**

**All sinks are available nested 10 units per shipping carton.*



SINK ACCESSORIES

the finishing touch to a Revere sink!

Choose from Cutting Board, Bottom Grids and Drain that are designed to only fit Revere sinks.



RCB1516

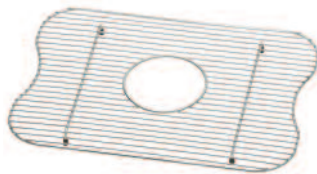
CUTTING BOARD

Hardwood cutting board is designed to fit undermount sinks with a reveal.

RCB1516

Fits sink bowls with inside bowl dimensions of 14" x 15-3/4"

Sink must be installed with 1/2" reveal for cutting board to fit properly.



RVBG2115SS (Shown)
RVBG1318SS
RVBG1415SS

BOTTOM GRIDS

Stainless steel wire bottom grids that protect the bottom of your Revere sink.

RVBG1318SS

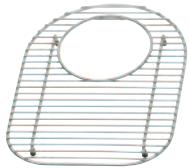
Fits sinks with inside bowl dimensions of 13-1/2" x 18"

RVBG1415SS

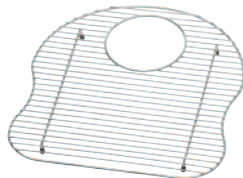
Fits sinks with inside bowl dimensions of 14" x 15-3/4"

RVBG2115SS

Fits sinks with inside bowl dimensions of 21" x 15-3/4"



RVOBG1115SS



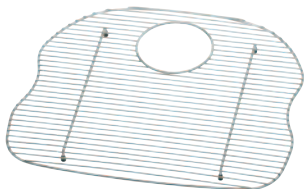
RVOBG1617SS

RVOBG1115SS

Fits sinks with inside bowl dimensions of 11-1/2" x 15"

RVOBG1617SS

Fits sinks with inside bowl dimensions of 16" x 17-1/2"



RVOBG2118SS

RVOBG2118SS

Fits sinks with inside bowl dimensions of 21" x 18-5/8"



S1

DRAIN/STRAINER

S1

Drain opening size: 3-1/2"



Revere
2222 Camden Court
Oak Brook, IL 60523
800.225.8585
FAX 630.645.4447
reversesink.com